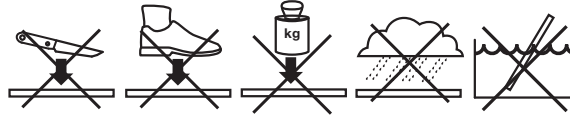


Quick Start Guide

seca mVSA 535

- Sicherheitshinweise • Safety precautions
- Consignes de sécurité • Avisos de seguridad

1.

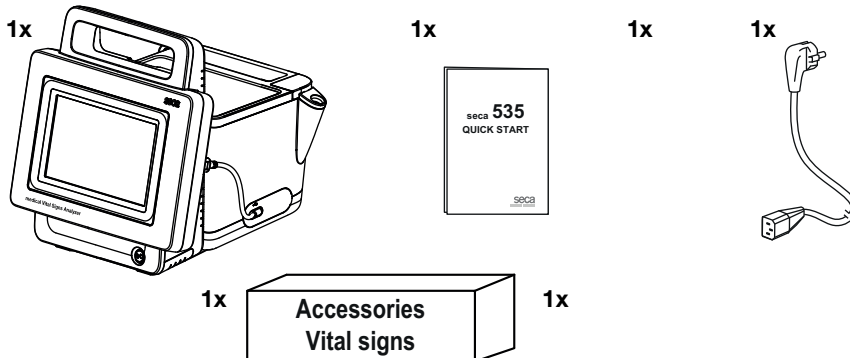


2.

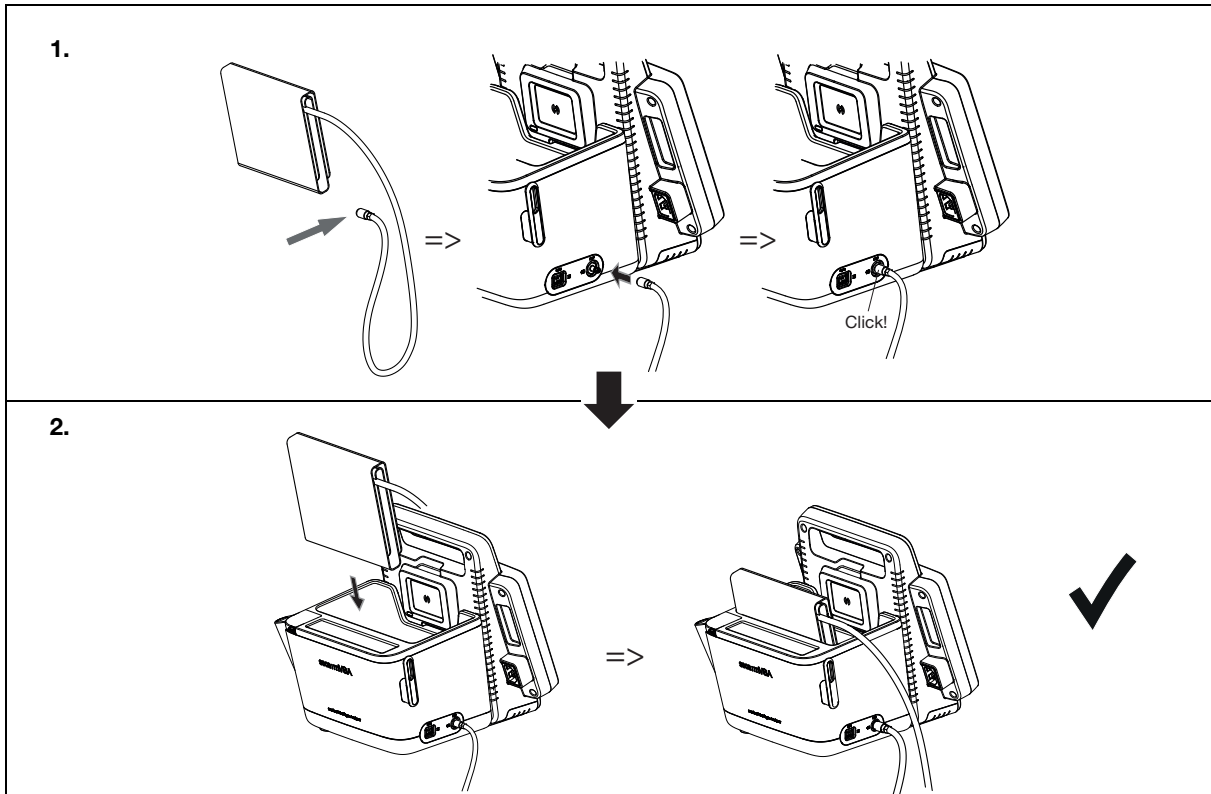
PDF: www.seca.com

- Deutsch
- English
- ...

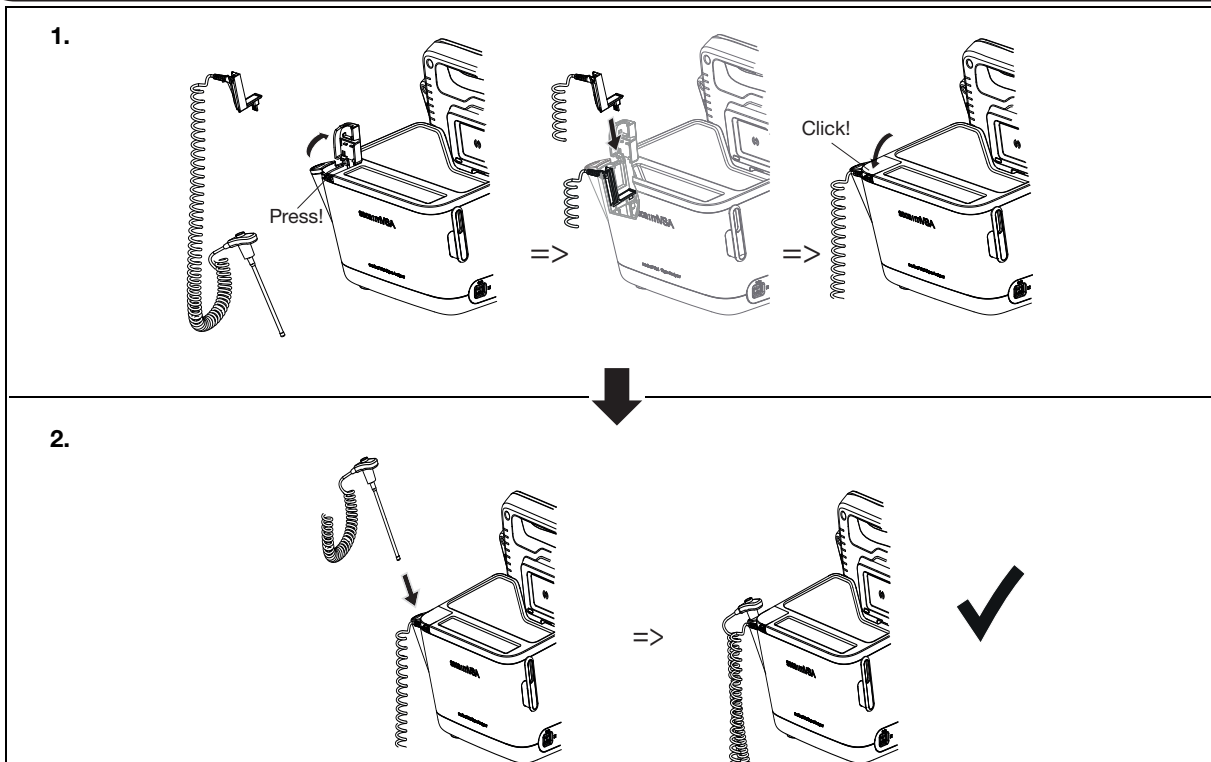
- Lieferumfang (Zubehör variantenabhängig) • Scope of supply (accessories depend on version)
- Éléments livrés (accessoires selon le modèle) • Volumen de suministro (dependiendo de la variante del accesorio)



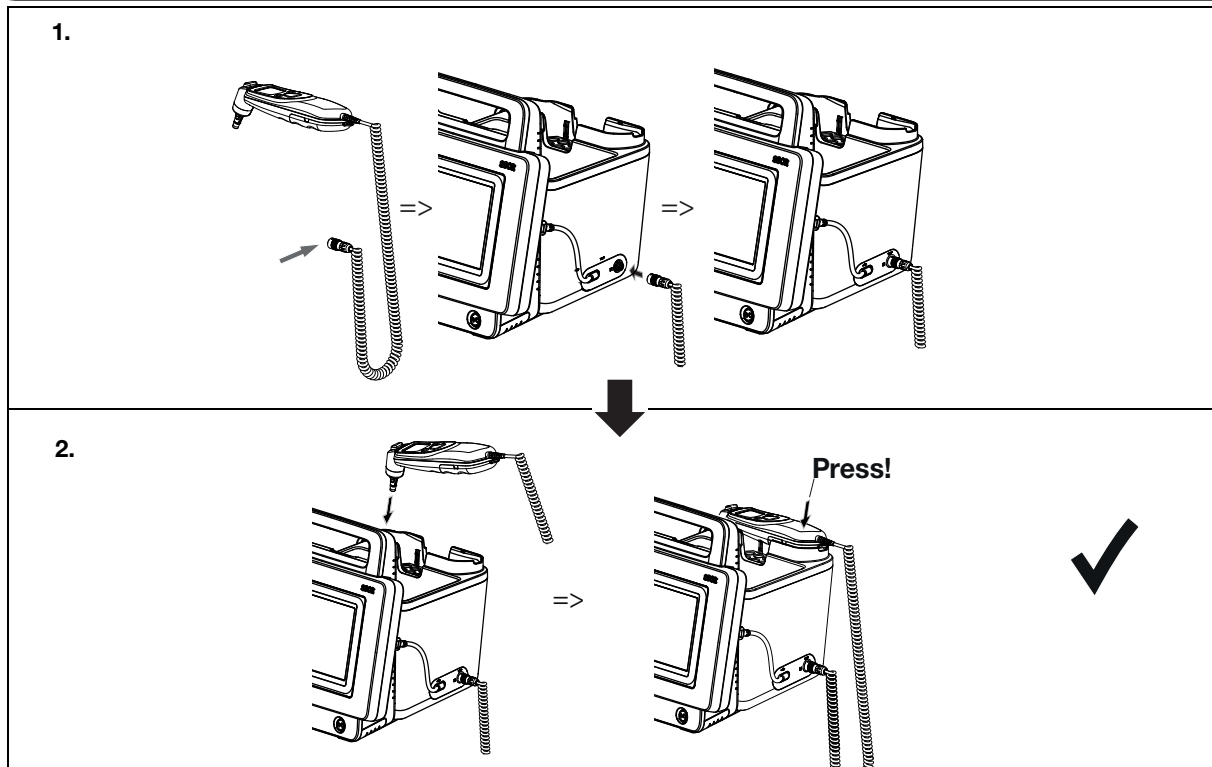
- Blutdruckmanschette anschließen (variantenabhängig) • Connecting the blood pressure cuff (depending on version)
- Raccorder le brassard de tensiomètre (selon le modèle)
- Conectar el manguito de presión arterial (dependiendo de la variante)



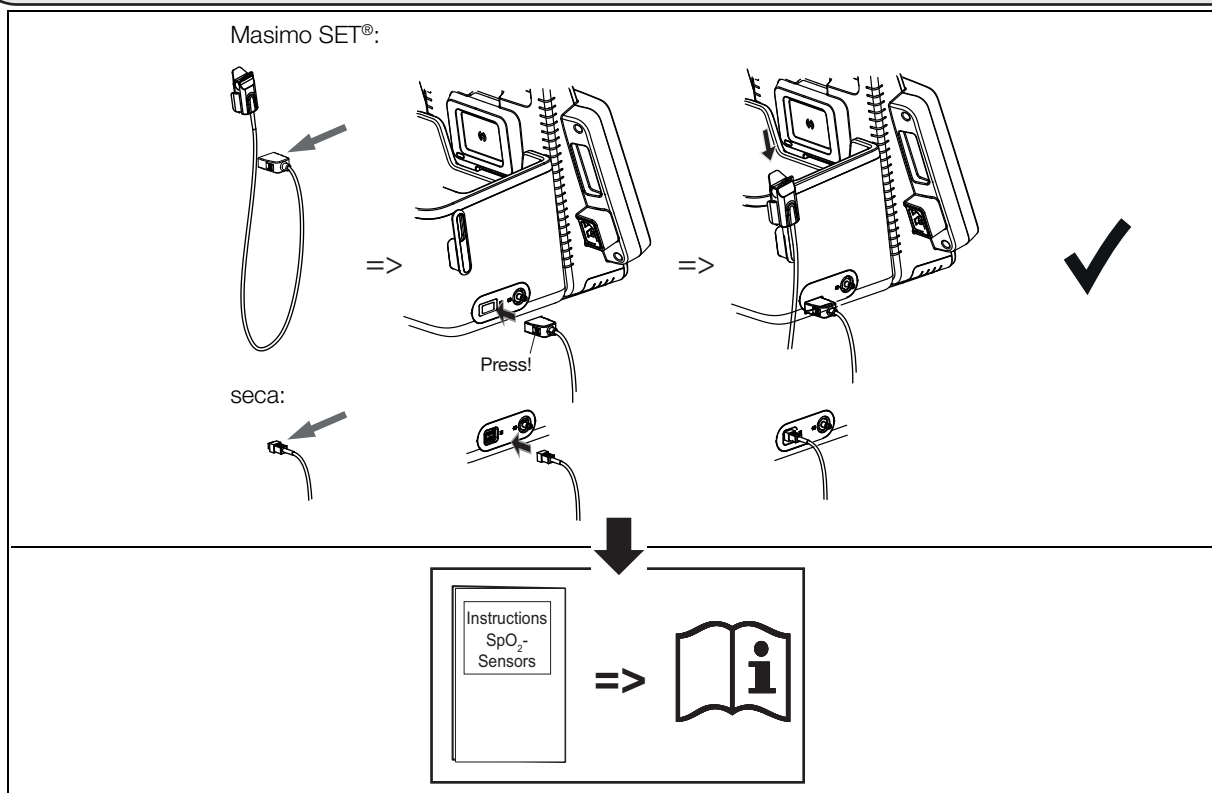
- Temperatursonde anschließen (variantenabhängig) • Connecting the temperature probe (depending on version)
- Raccorder la sonde de température (selon le modèle) • Conectar la sonda de temperatura (dependiendo de la variante)



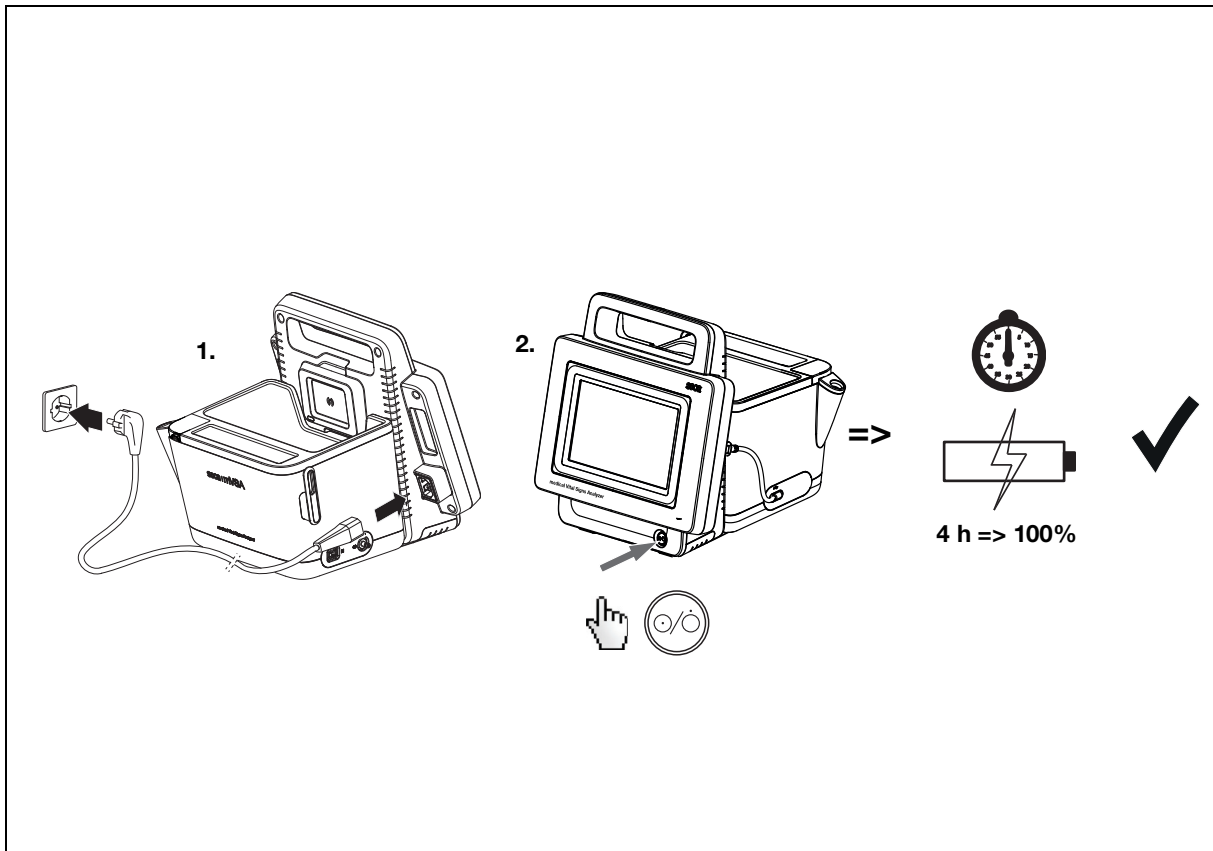
- Ohrthermometer anschließen (variantenabhängig) • Connecting the ear thermometer (depending on version)
- Raccorder thermomètre intra-auriculaire (selon le modèle) • Conectar el termómetro de oído (dependiendo de la variante)



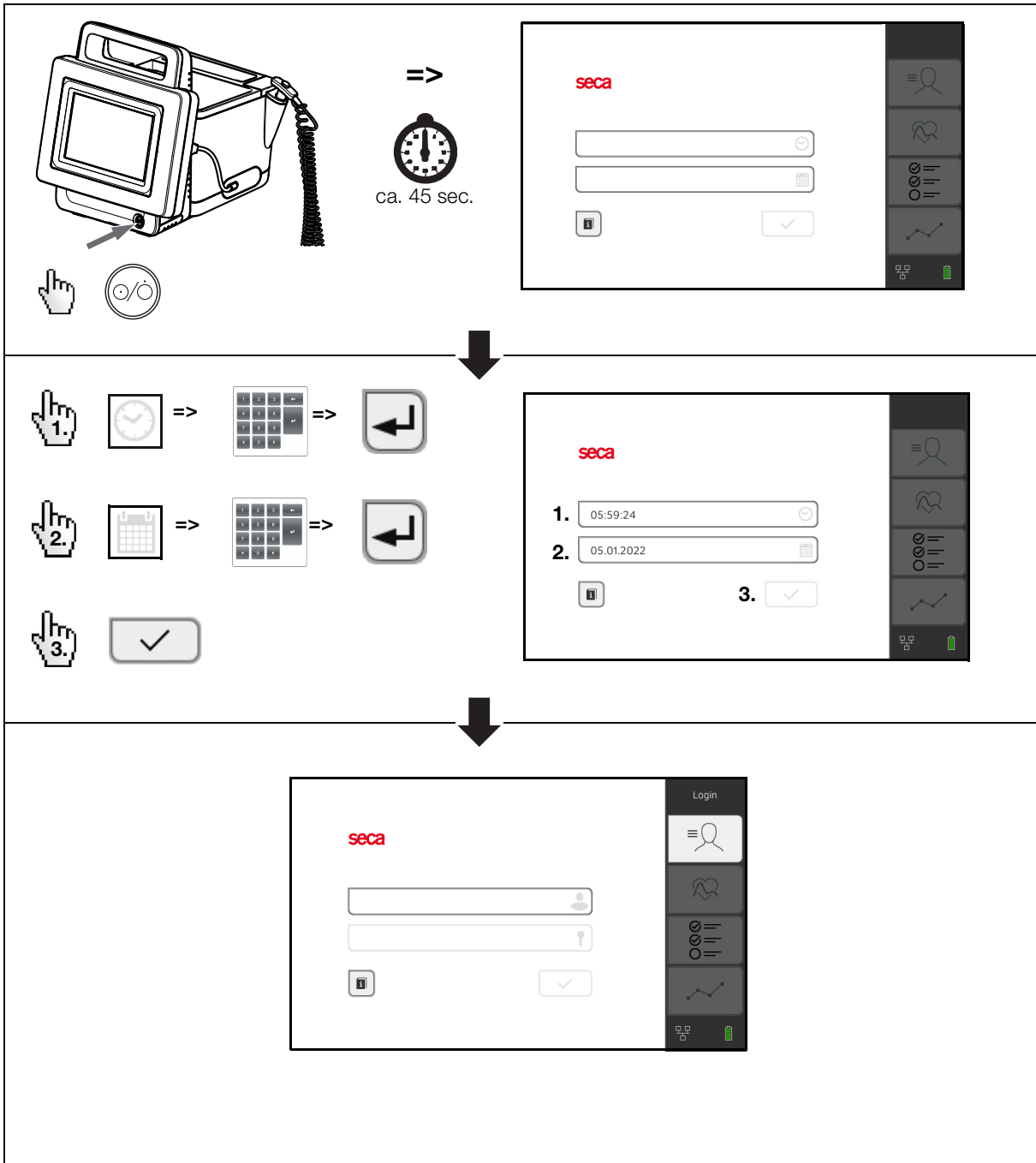
- SpO2-Sensor anschließen (variantenabhängig) • Connecting the SpO2 sensor (depending on version)
- Raccorder le capteur SpO2 (selon le modèle) • Conectar el sensor de SpO2 (dependiendo de la variante)



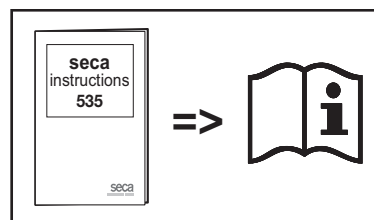
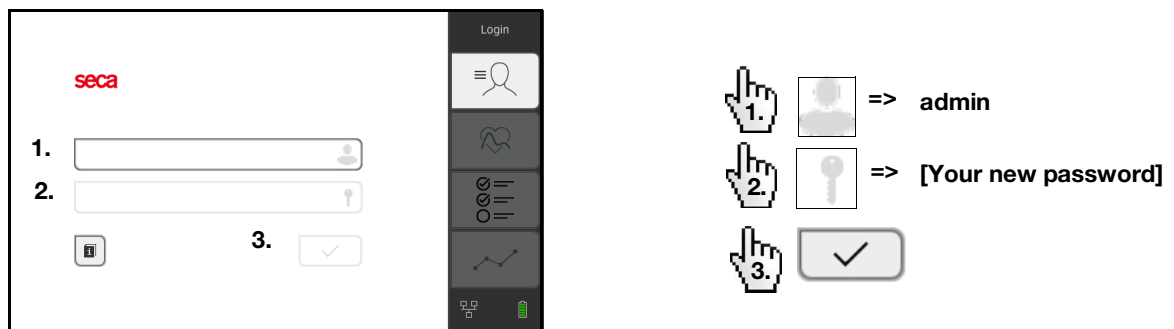
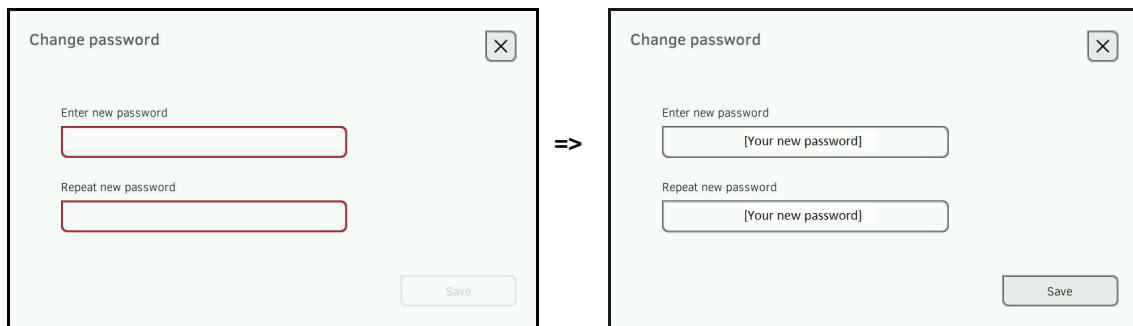
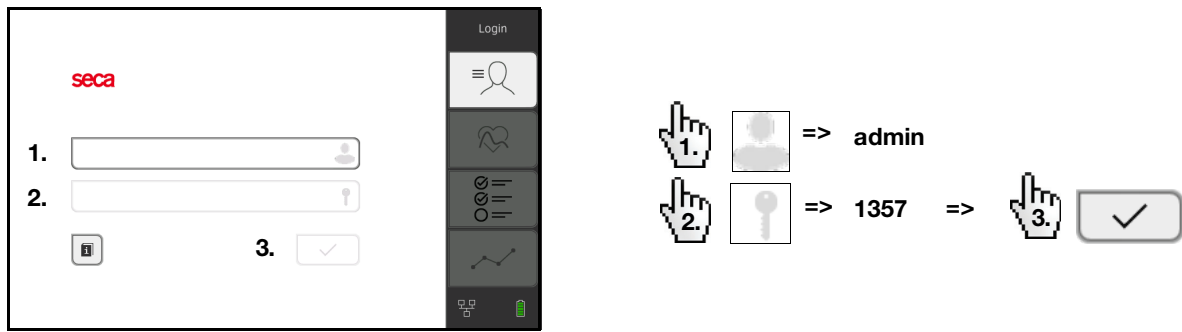
•Akkus laden • Charging Batteries
• Charger les piles • Cargar las baterías



• Erster Systemstart: Datum/Uhrzeit einstellen • Initial system start: set Date/Time
 • Démarrage initial du système : régler la date/l'heure • Primer inicio del sistema: ajustar fecha/hora



• Login • Login•
• Login • Iniciar sesión



• **Gebrauchsanweisung ansehen** • **View instructions for use**
• **Accéder au mode d'emploi** • **Consultar las instrucciones de uso**

The screenshot shows the mobile application interface. On the left, there is a document icon labeled "seca instructions 535" with the text "PDF: www.seca.com" below it. The main screen displays the "seca" logo, a login form with fields for user and password, and a "Login" button. A vertical sidebar on the right contains icons for user profile, home, settings, and data. Below the login screen, a hand icon points to an information icon (i), which leads to a language selection menu with options: "Deutsch", "English", and "...". A checkmark icon is shown next to the "English" option.

Below the language selection, a large arrow points down to a detailed view of the "INSTRUCTIONS FOR USE FOR SECA mVSA 535". This view shows a list of sections: Device description, Safety information, Device overview, Start up device, Operation, Hygiene treatment, Function check, Maintenance, What do I do if...?, Technical data, Optional accessories and spare parts, Compatible seca measuring devices, Disposal, Warranty, Declarations of conformity, and For administrators: Configure seca mVSA 535. A "Link" label points to the list. To the right, a scrollable document icon is shown. At the bottom, there are navigation icons: a back arrow, a home icon, and a forward arrow. Below these are two stacks of document icons representing a table of contents, with sections numbered 1, 1.1, 1.1.1, 1.1.2, 1.2, and 2.

This device uses software known as „free“ or „open source“ software (FOSS). For details go to www.seca.com/opensource.

• **Informationssystem-Anbindung via Software seca connect 103** • **EMR system connection via seca connect 103 software** • **Connexion à un système d'information via le logiciel seca connect 103**
• **Conexión al sistema de información a través del software seca connect 103**

The diagram shows a portable seca device on the left, connected to a computer monitor on the right. A cable connects the device to the computer, and a wireless signal icon is shown between them. The computer monitor displays the text "seca connect 103".

Wenden Sie sich bitte an den seca Service.
Please contact seca Service.
Veuillez vous adresser à seca Service.
Consulte al seca Service.

Medical Measuring Systems and Scales since 1840

seca gmbh & co. kg
Hammer Steindamm 3–25
22089 Hamburg · Germany
T +49 40 20 00 00 0
F +49 40 20 00 00 50
E info@seca.com

seca operates worldwide with headquarters
in Germany and branches in:

[seca france](#)
[seca united kingdom](#)
[seca north america](#)
[seca schweiz](#)
[seca zhong guo](#)
[seca nihon](#)
[seca mexico](#)
[seca austria](#)
[seca polska](#)
[seca middle east](#)
[seca suomi](#)
[seca américa latina](#)
[seca asia pacific](#)
[seca danmark](#)
[seca benelux](#)
[seca lietuva](#)

and with exclusive partners in
more than 110 countries.

All contact data at [seca.com](https://www.seca.com)