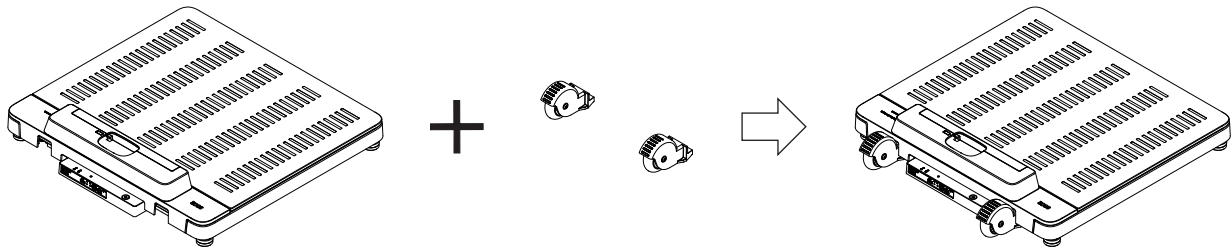


# Mounting instructions Casters for seca 654

## 1. VERWENDUNGSZWECK • INTENDED USE



## 2. SICHERHEITSHINWEISE • SAFETY PRECAUTIONS

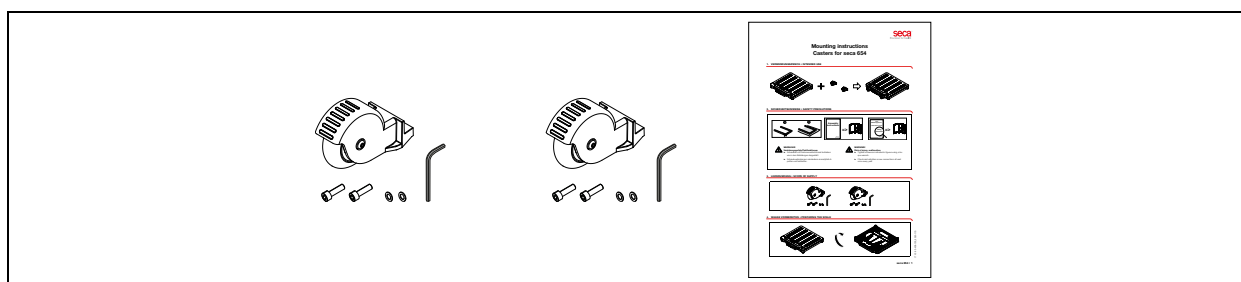
**! WARNUNG!**  
**Verletzungsgefahr/Fehlfunktionen**

- ▶ Schrauben mit Drehmomentschlüssel festziehen wie in den Abbildungen dargestellt.
- ▶ Schraubverbindungen mindestens einmal jährlich prüfen und festziehen.

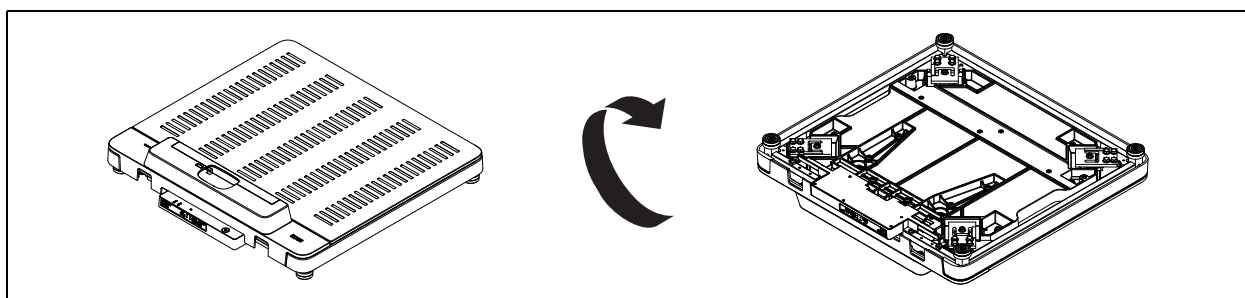
**! WARNUNG!**  
**Risk of injury, malfunction**

- ▶ Tighten screws as indicated in figures using a torque wrench.
- ▶ Check and retighten screw connections at least once every year.

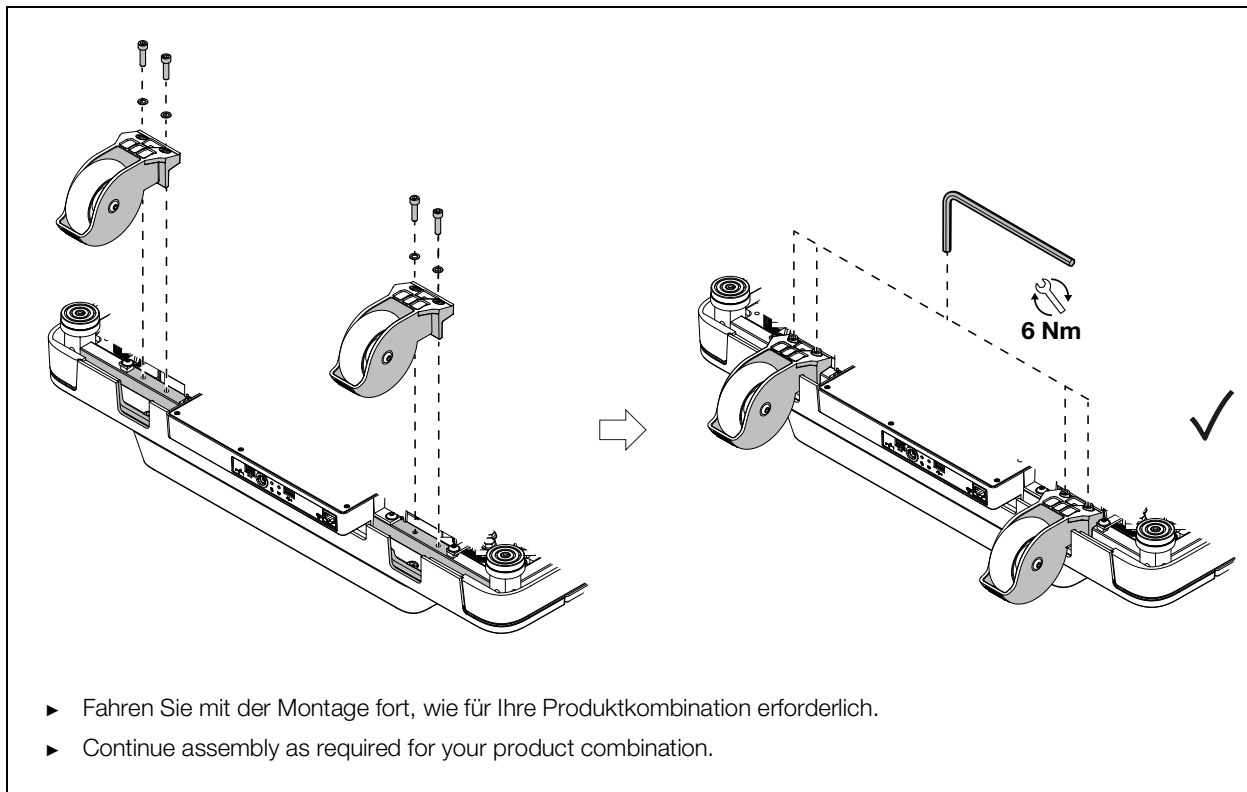
## 3. LIEFERUMFANG • SCOPE OF SUPPLY



## 4. WAAGE VORBEREITEN • PREPARING THE SCALE



5. ROLLEN MONTIEREN • MOUNTING CASTERS



Medical Measuring  
Systems and Scales  
since 1840

17-10-05-406-100\_2023-11S

seca gmbh & co. kg  
Hammer Steindamm 3-25  
22089 Hamburg  
Germany

T +49 40 20 00 00 0  
F +49 40 20 00 00 50  
E info@seca.com

seca operates worldwide  
with headquarters in  
Germany and branches in:  
seca france  
seca united kingdom  
seca north america  
seca schweiz  
seca zhong guo

seca nihon  
seca mexico  
seca austria  
seca polska  
seca middle east  
seca suomi  
seca américa latina  
seca asia pacific

seca danmark  
seca benelux  
seca lietuva  
and with exclusive  
partners in more than  
110 countries.

All contact data at [seca.com](http://seca.com)